

突波保護器

CBSPM系列

Photovoltaic SPD

The Cooper Bussmann three-module photovoltaic Surge Protective Device (SPD) (with three-step DC switching device) features easyID™ visual indication and optional remote contact signaling (floating changeover contact) for use in PV systems.

These complete surge protective devices are suitable for all PV systems in accordance with UL 1449 3rd Edition and IEC 60364-7-712. Includes a five year limited warranty.

These prewired solutions consist of a base and locking modules that feature a combined disconnection and short-circuiting (shunting) device with safe electrical isolation to prevent fire damage due to DC arcs. An integrated DC fuse allows safe module replacement without arc formation.

In case of insulation faults in the generator circuit, a reliable and tested fault-resistant Y circuit prevents damage to the surge protective devices.

The green and red visual indicator flags show the module protective status (green = good, red = replace). Apart from this visual indication, the remote signaling option features a three terminal floating changeover contact that can be used as a make or break contact depending on the particular monitoring system design employed.



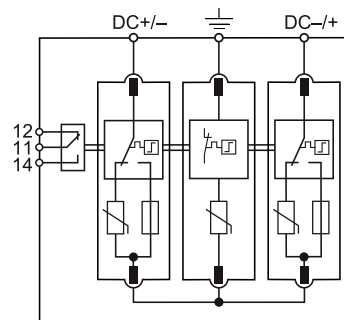
Visual Status Indication

Remote Signal Contact Available

Ordering Information				
Catalog Numbers	Without Remote Signaling	CBSPM3600YPV	CBSPM31000YPV	CBSPM31200YPV
	With Remote Signaling	CBSPM3600YPVR	CBSPM31000YPVR	CBSPM31200YPVR
Specifications				
Nominal PV System Voltage		600V	1000V	1200V
MCOV [UCPV]		700Vdc	1170Vdc	1200Vdc
Max System Discharge Current (8/20 μs) [Imax]		40kA	40kA	30kA
Voltage Protection Level [UP]		≤2.5kV	≤4.0kV	≤4.5kV
Voltage Protection Level at 5kA [UP]		≤2.0kV	≤3.5kV	≤4.0kV
Integrated Fuse Breaking Capacity / Interrupting Rating		30kA/1000Vdc	30kA/1000Vdc	30kA/1200Vdc
Technology	Short-Circuit Interruption (SCI) Overcurrent Protection			
Operating Temperature Range [TU]	-40°C to +80°C			
Nominal Discharge Current (8/20 μs) [(DC+/DC-) -> PE] [In]	12.5kA			
Response Time [tA]	≤25ns			
Operating State/Fault Indication	Green (good)/Red (replace)			
Conductor Ratings and Cross-Sectional Area	Min	60/75°C 1.5mm ² /14AWG Solid/Flexible		
	Max	60/75°C 35mm ² /2AWG Stranded/25mm ² /4AWG Flexible		
Mounting	35mm DIN Rail per EN 60715			
Enclosure Material	UL 94V0 Thermoplastic			
Degree of Protection	IP20			
Capacity	3 Modules, DIN 43880			
Standards Information: UL	UL 1449 3rd Edition (Type 2)			
IEC	IEC 61643-11 Type 2, IEC 61643-1 Class II			
Product Warranty	Five Years			
Remote Contact Signaling				
Remote Contact Signaling Type	Changeover Contact			
AC Switching Capacity (Volts/Amps)	250V/0.1A			
DC Switching Capacity (Volts/Amps)	250V/0.1A; 125V/0.2A; 75V/0.5A			
Conductor Ratings and Cross-Sectional Area for Remote Contact Signal Terminals	60/75°C Max. 1.5mm ² /14AWG Solid/Flexible			
Ordering Information	Order from Catalog Numbers Above			

Module Circuit Diagrams

- Fuse Closed
- Fuse Open
- MOV
- Thermal Disconnecter
- Arc



Dimensions - mm

